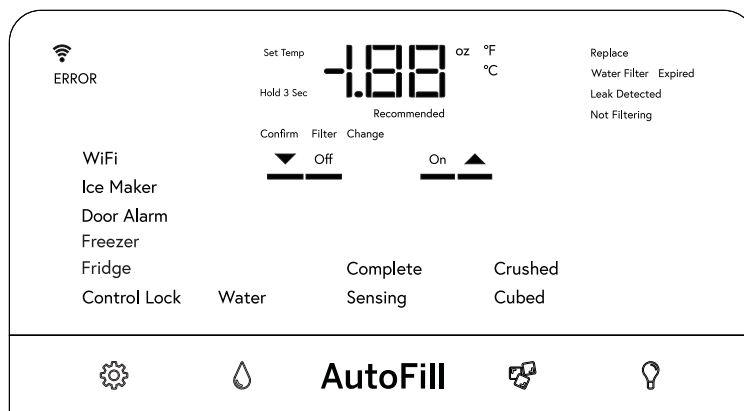


Controls



Settings (⚙️) - Press to scroll through the refrigerator functions.

- **Control Lock** - Press ON to lock out ice and water dispenser and all feature and temperature buttons. Press and hold OFF for 3 seconds to deactivate.
- **Fridge** - Press Up or Down button to increase or decrease temperature from 34°F(1°C) to 42°F (6°C).
- **Freezer** - Press Up or Down button to increase or decrease temperature from -6°F (-21°C) to 5°F (-15°C).
- **Door Alarm** - Sounds an alert when the freezer or refrigerator doors have been left open. Snooze the alert by pressing any key. Press On or Off to activate or deactivate Door Alarm while an alert is not active.
- **Ice Maker** - Press On or Off to start/stop Ice Maker.
- **WiFi** - (on some models) Press On to start the WiFi connection process per the instructions on Page 12. Press Off to disable WiFi. Note that restarting WiFi requires repeating the WiFi connection process.
 GE Profile Door-in-Door models PVD28, PXD22 have built-in Wifi
 GEA models GVE28 are Connect Plus Ready

Water (💧) - Press to select Water to dispense when the paddle is pressed.

AutoFill* - Press to initiate automatic sensing to fill from dispenser.

Ice (🧊) - Press to select crushed or cubed ice when the paddle is pressed.

Light (💡) - Press to control dispenser lighting. Chime will accompany each press.

Fahrenheit / Celsius:

Temperature display can be switched between Fahrenheit and Celsius. Press Settings button (⚙️) to navigate to “Fridge” or “Freezer”, then press and hold the Ice button and Light button for three seconds.

Volume Control:

Alert volume can be adjusted from High to Low and Off. Press Settings button (⚙️) to navigate to “Icemaker”, then press and hold the Ice button and Light button for three seconds.

Sabbath Mode:

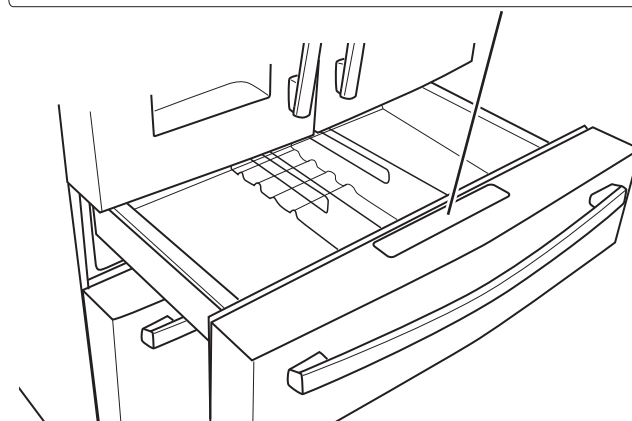
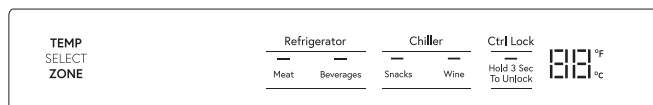
Simultaneously hold the Settings (⚙️), Water, and Light buttons for three seconds to enter and exit Sabbath mode.

CONVERTIBLE DRAWER

Temperature in the Convertible Drawer is selected by pressing the food item to be kept in the drawer. The corresponding temperatures are:

Meat	29°F (-2°C)
Beverages	33°F (1°C)
Snacks	37°F (3°C)
Wine	42°F (6°C)

The temperature setting is locked by default. Button must be pressed for 3 seconds to unlock.



*Select models only